

<b>designation</b>	<b>IR3 sensor</b>
<b>reference</b>	<b>154186</b>
<b>range</b>	<b>accessories</b>

**FUNCTIONS**

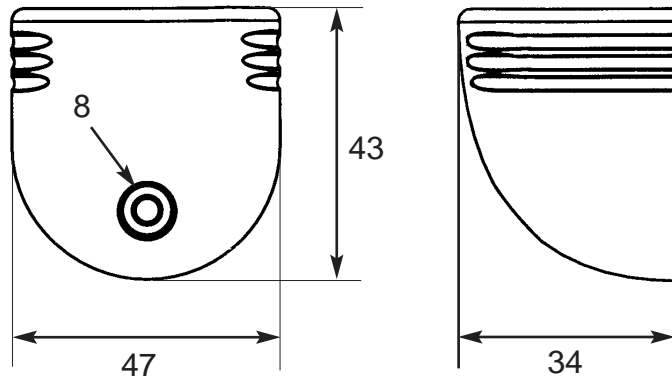
The IR3 sensor is an infrared sensor compatible with the IRT103 and IRT803 infra-red transmitters.

The IR3 sensor is equipped with a female phone plug to allow the easy change of the cable (with a phone plug).

**TECHNICAL SPECIFICATIONS**

Box	Material Color Size Protection factor against solid and splashproof	ABS White 47mm x 43mm x 34 mm IP 30
Cable	Colour Type Number of wires Connector Length	White Flat phone cable 3 (phone / wires) RJ9 type 2,5m
Infra-red protocole		RECS 80
Electromagnetic compatibility		EN 50081 EN 50082
Temperature range	Storage Working	-15°C at +70°C 0°C at +40°C
Range	minimum guaranteed	7m
Weight		67g
CE Requirements		Yes

## DIMENSIONS



## COMPATIBILITIES AT THE 18/10/00

### Receivers :

AC motor infra-red receiver  
BUS line infra-red receiver  
ISG83

### Transmitters :

IRT 103  
IRT 803

## WIRING

Yellow : +5V  
White : IR signal  
Blue : C (common)

